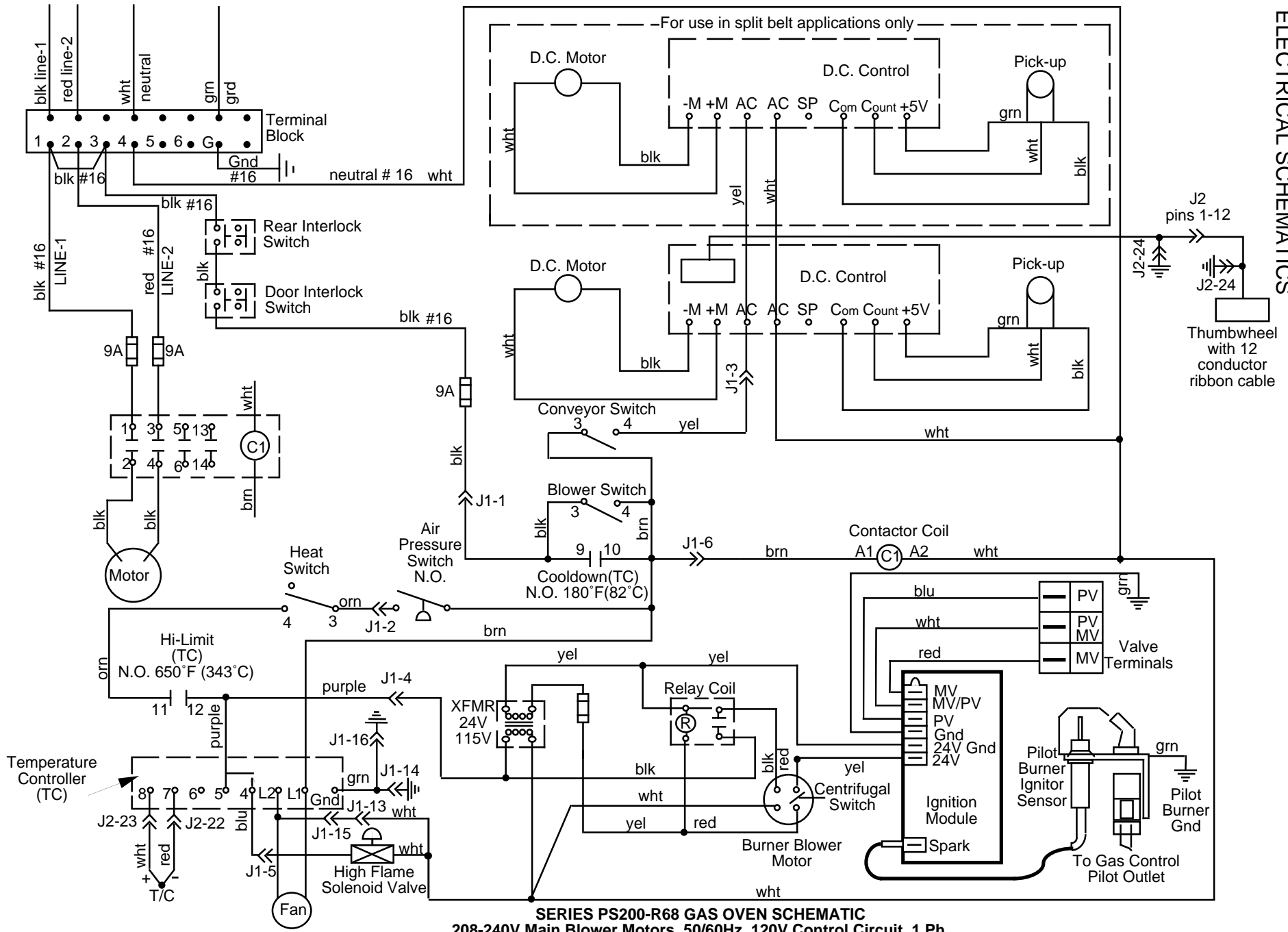


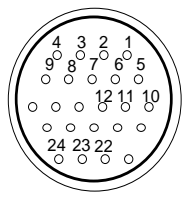
SECTION 7
ELECTRICAL SCHEMATICS



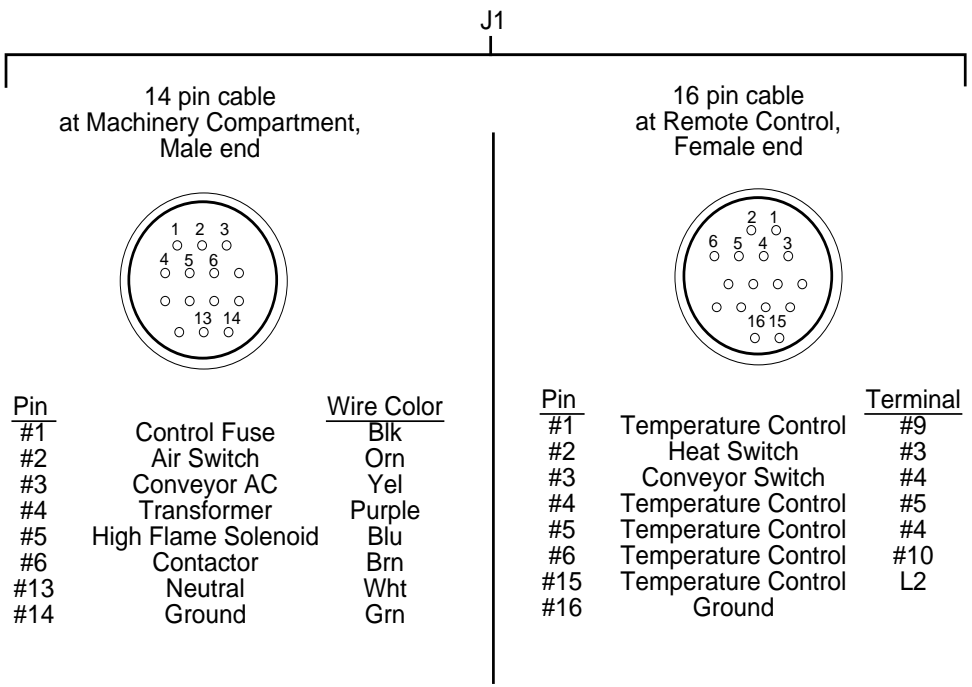
SERIES PS200-R68 GAS OVEN SCHEMATIC
 208-240V Main Blower Motors, 50/60Hz, 120V Control Circuit, 1 Ph,
 4.1 Amp Draw, 3 Pole, 4 Wire (2 hot, 1 neut, 1 grd)

08

J2
24 pin cable,
Both connectors
female



- Pin #'s 1-12
Thumbwheel Ribbon Cable
starting with Pin #1 - blue
- Pin #22 Red, Thermocouple
- Pin #23 Wht, Thermocouple
- Pin #24 Ground





**Middleby
Marshall**

Middleby Marshall Inc. • 1400 Toastmaster Drive • Elgin, IL 60120 • (708) 741-3300 • FAX (708)741-4406

***National Service Cooperative 1-800-298-1862
Middleby Corporation Service Hotline 1-800-238-8444***