



Yes, you can.®



Invacare Corporation
www.invacare.com

USA

One Invacare Way
Elyria, Ohio
44035-4190
(800) 333-6900

Canada

570 Matheson Blvd. E.
Unit 8
Mississauga, Ontario
L4Z 4G4 Canada
(800) 668-5324

All rights reserved.
Trademarks are identified by the symbols ™ and ®. All trademarks are owned by or licensed to Invacare Corporation unless otherwise noted.

© mark indicates that product is eligible for sale within the European Union and the European Free Trade Area.



© 2007
Invacare Corporation

00-266
Rev. 07/07





Yes, you can!

Lifts and Slings

- Battery Powered and Hydraulic Lifts
- Stand-Up and Heavy-Duty Lifts
- Full Assortment of Slings



INVACARE®
**INJURY
PREVENTION**
PROGRAM

The Invacare® line of Reliant lifts was conceived to help reduce the possibility of caregiver back injury and to ensure dignity in patient handling. These high quality lifts are comfortable, reliable and integral tools for staff and caregivers. Using the lift for patient handling can help reduce staff injuries, save you money and reinforce safety as a priority in your health care facility. Invacare Reliant lifts support up to 450 pounds, making potentially challenging transfers smooth for the resident and caregiver. The high lift range allows easy access to tubs, chairs, commodes, floors and beds (with at least 4.5" under-bed clearance). Along with functional and innovative lifts, Invacare also offers facility assessment plans to further aid in your safety management program. Our all-encompassing lift system also includes in-service training, videos and an ergonomic safety plan. Our goal is to partner with you in lowering costs and protecting your staff from injury. The sturdy and practical design of Reliant lifts provides the solution you need for success in your quest to provide safe and effective health care.



Ask us about our injury prevention program.



CE



CE

Invacare® Reliant 450 Hydraulic Lift

Model no. RHA450-1

- Pump mechanism allows transfers of up to 450 lb. with minimal effort
- Comfortable handle placement for ease of use
- Wide base for maximum stability
- Low maintenance
- Limited warranty includes three years on lift, one year on pump

Invacare® Reliant 450 Battery-Powered Lift

Model no. RPA450-1

- Removable battery easily charges overnight on wall-mounted charging station
- Equipped with a quiet, long-life motor
- Wide lift range for easier transfer
- Wide base for maximum stability
- Limited warranty includes three years on lift, one year on battery

Invacare® Reliant 450 Lifts



Invacare® Reliant 450 Low-Profile Lift Bases

Model no. RPL450-1 Battery-powered
Model no. RPL450-2 Battery-powered with battery power base

- 4.5" under-bed clearance improves accessibility
- Available with battery powered base

Features

- Height range allows lifting from floor and high surfaces
- Low friction casters significantly improve rollability and contribute to caregiver safety
- Removable battery pack eliminates downtime and simplifies the charging process
- Manual lowering for instant response to power loss
- Safety-tested, meets CE mark requirements
- Electronic system includes two 24-volt batteries: one for lift, one for battery-charging station; a manual emergency lowering device; and anti-entrapment feature if boom meets any resistance while lowering
- Available with power opening base option (model no. RPS350-2)
- Multi-grip push handle is angled to minimize wrist strain
- Base legs adjust easily and lock securely into open position with the padded shifter handle or optional power option
- Total pinch-point protection covers all moving parts for added safety
- Padded swivel bar with 360° rotation and six-point hookup allows use of Invacare chain-free slings as well as older style slings with chains or straps
- Attractive neutral design blends well into any environment
- Covered base provides protection against wear, dirt and moisture
- Manufactured in an ISO13485 facility

Lift Specifications

	Hydraulic Adjustable RHA450-1	Power Adjustable RPA450-1	Hydraulic Low Base RHL450-1	Power Low Base RPL450-1	Power Low Base/Pwr. Opening RPL450-2
Height					
Maximum at sling hookup	73"	76"	71"	74"	74"
Minimum at sling hookup	27"	26"	25"	24"	24"
Base height (clearance)	6.8"	6.8"	4.5"	4.5"	4.5"
Base width					
Open	41"	41"	41"	41"	41"
Closed	26.5"	26.5"	26.5"	26.5"	26.5"
Base length	48"	48"	48"	48"	48"
Casters					
Front	5"	5"	3"	3"	3"
Rear	5"	5"	5"	5"	5"
Weight capacity	450 lb.	450 lb.	450 lb.	450 lb.	450 lb.
Product weight					
Out-of-carton	93 lb.	106 lb.	93 lb.	106 lb.	109 lb.
Removable battery pack					
One 24-volt rechargeable sealed		X		X	X
Charger output 24-volt DC		X		X	X
Audible "low battery" alarm		X		X	X
Lifts per charge: 150-300*		X		X	X

*Varies with lift range and load. Complete instructions for lift usage and sling procedures are found in the Invacare Operating Manual. Only Invacare slings and accessories should be used on Invacare lifts. (See listing page 8.)

Available Parts Kits for Lifts

Description	Part no.
Reliant touch-up paint	1075222
Reliant replacement batteries	1078276
Reliant swivel bar kits	1143629
Extra-wide Reliant swivel bars	1143630
Reliant low base replacement kit (manual)	1079810
Reliant high base replacement kit	1079811
Reliant sling holder bag (four-pack)	1088911
Reliant training video: <i>Lifting with Ease</i>	1090823



Invacare® Reliant Digital Scale

Model no. RLS6

- Retrofits on all Reliant 450/600 lifts. Model 9805 requires Reliant swivel bar (Part no. 1064518)
- Easy to operate, four-button display
- Automatic shut-off feature prolongs battery life
- Two-year limited warranty



Manual Lowering

- Manual emergency lowering feature gently and safely lowers resident in case of total power loss
- Essential safety feature
- Manual lowering is easy and effortless. Simply insert the end of a ball point pen into the hole marked "emergency" or lift on the accessible ring-pull



Hand Pendant

- Ergonomic control with heavy-duty cord
- Convenient pendant hook allows attachment and storage on multiple areas of lift



Rear Locking Brakes

- Locking feature on 5" rear casters is standard on all models



Electronics

- Removable battery box is conveniently located on mast; it features an emergency OFF button and beeps when battery needs to be recharged; Requires one 24-volt battery
- Quick-release battery eliminates downtime
- Anti-entrapment feature stops motion if boom meets resistance while lowering
- Heavy-duty hand pendant and cord



Charging Station

- One 24-volt battery on mast with quick release
- Battery can be replaced immediately with second battery in wall-mounted charger
- UL listed and CSA certified

Invacare® Reliant 350 Stand-Up Lift

Comfortable and secure, the Invacare Reliant 350 Stand-Up lift is the answer to your patient handling needs. Its ergonomic styling and easy maneuverability make the Reliant 350 an ideal product for everyday patient handling. With its numerous safety features, the Reliant 350 Stand-Up lift helps ensure caregiver security and resident peace of mind. Ideal for use with weight-bearing or fully dependent patients as well as those needing rehabilitation support, the Invacare Reliant Stand-Up lift will be a valuable addition to your safety-management system.



Shown with R130 Standing sling.

Specifications

Model no.	RPS350-1	RPS350-2
Height		
Maximum at sling hookup	63.7"	63.7"
Minimum at sling hookup	39.6"	39.6"
Base height (clearance)	4.5"	4.5"
Base width		
Open	36.8"	35.8"
Closed	25.7"	25.7"
Base length	35.5"	35.5"
Casters		
Front	3"	3"
Rear (locking)	5"	5"
Weight capacity	350 lb.	350 lb.
Product weight		
Out of carton	115 lb.	118 lb.
Shipping	125 lb.	128 lb.

Electronics

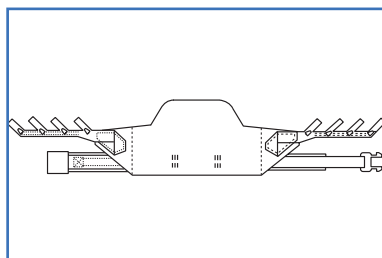
- Removable battery box is conveniently located on mast; it features an emergency OFF button and recharge indicator (With audible recharge alarm.)
- Quick-release battery eliminates downtime
- Anti-entrapment feature stops motion if boom meets resistance while lowering
- Heavy-duty hand pendant and cord
- Includes two batteries and a recharging station



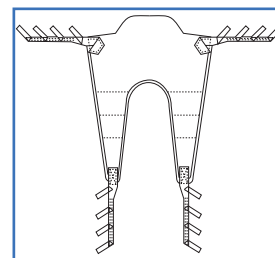
Features

- Innovative adjustment features adapt to a wide variety of body sizes and shapes. That means comfort at any height, width and weight range up to 350 lb.
- Low friction casters significantly improve rollability and contribute to caregiver safety
- Multi-function slings allow for quick toileting, stand assist or full-support seated transfer
- Adjustable leg support features a soft pad with lateral contour that secures legs in three positions for comfort at any height
- Wide, non-slip footplate provides stable base for transfer
- Under-bed clearance of 4.5" allows accessibility to most nursing home, hospital and home care bed styles
- Available with power opening base (RPS350-2)
- Removable battery eliminates downtime
- Ergonomic features make it ideal for toilet transfers, as well as for dependent and rehabilitation purposes
- Features include fast, simple sling attachment that protects against accidental disengagement; wide push handle; good access for clothing removal; and comfortable slings with extended back support that prevents pressure in the axilla area
- Adjustable leg strap option secures leg against knee pad for optimum positioning on footplate
- Limited warranty includes three years on lift, one year on motor
- Manufactured in an ISO13485 facility

Invacare® Reliant 350 Stand-Up Lift



Model no. R130 Standing sling.



Model no. R134 Transfer sling.

Sling model numbers R130 and R134 are also compatible with the Reliant 440 lift. Complete instructions for lift usage and sling procedures are found in the Invacare operating manual. Only Invacare® slings and accessories should be used on Invacare® lifts.

Sling Specifications

	R130	R134
Width	44"	34"
Length	16"	42"
Product weight		
Out of carton	1.1 lb.	1.3 lb.
Shipping	1.6 lb.	1.8 lb.

Comfortable and secure, the Invacare® Reliant 440 Stand-Up lift is the answer to your patient handling needs. The ergonomic styling and easy maneuverability make the Reliant 440 an ideal product for everyday patient transfers. With its numerous safety features, the Reliant 440 Stand-Up lift helps ensure caregiver security and resident peace of mind. Ideal for use with weight-bearing or fully dependent patients, as well as for those needing rehabilitation support, the Invacare Reliant 440 Stand-Up lift will be a valuable addition to your safety-management system.



WT200 Walking Tutor Attachment (Optional).



Specifications

Model no.	RPS440-1
Height	
Maximum at sling hookup	67"
Minimum at sling hookup	39"
Base height (clearance)	5"
Base width	
Open	44"
Closed	26"
Base length	41.5"
Casters	
Front	4"
Rear (locking)	4"
Weight capacity	440 lb.
Product weight	
Out of carton	117 lb.
Shipping	167 lb.

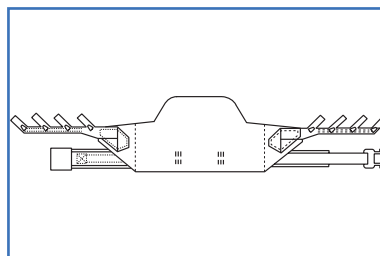
Electronics

- Removable battery box is conveniently located on mast; it features an emergency OFF button and recharge indicator (With audible recharge alarm.)
- Quick-release battery eliminates downtime
- Heavy-duty hand pendant and cord operates boom and base
- Anti-entrapment feature stops motion if boom meets resistance while lowering
- Includes two batteries and a recharging station

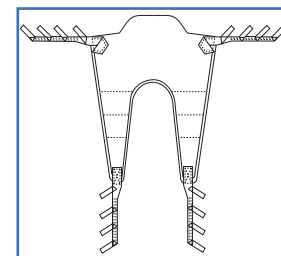


Features

- Innovative adjustment features adapt to a wide variety of body sizes and shapes. That means comfort at any height, width and weight range up to 440 lb.
- Power-opening base operated with hand pendant allows for single-caregiver adjustments
- Low friction casters significantly improve rollability and contribute to caregiver safety
- Multi-function slings allow for quick toileting, stand assist or full-support seated transfer
- Adjustable leg support features a soft pad with lateral contour that secures legs in comfort
- Wide, non-slip footplate provides stable base for transfer and may be removed for standing assistance
- Removable battery eliminates downtime
- Under-bed clearance of 5" allows accessibility to most nursing home, hospital and home care bed styles
- Ergonomic features make it ideal for toilet transfers, as well as for dependent and rehabilitation purposes (optional WT200 walking tutor attachment)
- Fast, simple sling attachment that protects against accidental disengagement; wide push handle; good access for clothing removal; and comfortable slings with extended back support that prevents pressure in the axilla area
- Adjustable leg strap option secures leg against knee pad for optimum positioning on footplate
- Limited warranty includes three years on lift, one year on motor



Model no. R131 Extra-large standing sling.



Model no. R136 Extra-large transfer sling.

Sling model numbers R131 and R136 are also compatible with the Reliant 350 lift. Complete instructions for lift usage and sling procedures are found in the Invacare operating manual. Only Invacare® slings and accessories should be used on Invacare® lifts.

Sling Specifications

	R131	R136
Width	58"	44"
Length	16"	52"
Product weight		
Out of carton	1.3 lb.	1.6 lb.
Shipping	2.0 lb.	2.1 lb.



Designed to meet the special needs of your patients weighing up to 600 pounds, the Invacare Reliant 600 heavy-duty lift is secure and sturdy, providing a safe alternative to manual lifting. Both durable and functional, the Reliant 600 is also a reassuring and comfortable patient lift. When answering the needs of every patient is your priority, this is your wisest choice.



Model no. RPL600-1 Power low base lift.

Features

- High lift range allows transfer to high surfaces
- Low friction casters significantly improve rollability and contribute to caregiver safety
- Designed to meet the needs of the growing bariatric population up to 600 lb.
- Manual lowering for instant response to power loss
- Safety tested, meets CE mark requirements
- Available with power opening base (RPL600-2)
- Essential device for safe patient handling in hospitals and LTC (long-term care) facilities
- Unique sling fabric designed to provide the utmost in comfort and strength
- Limited warranty includes three years on lift, one year on electric components
- Rear locking casters are standard
- Manufactured in an ISO13485 facility

Lift Specifications

	Power Adjustable RPA600-1	Power Low Base RPL600-1	Power Low Base/Pwr. Opening RPL600-2
Height			
Maximum at sling hookup	70"	68"	68"
Minimum at sling hookup	29.5"	28"	28"
Base height (clearance)	6.8"	4.5"	4.5"
Base width			
Open	41"	41"	49"
Closed	26.5"	26.5"	26.5"
Base length	48"	48"	48"
Casters			
Front	5"	3.5"	3.5"
Rear	5"	5"	5"
Weight capacity	600 lb.	600 lb.	600 lb.
Product weight			
Out of carton	112 lb.	112 lb.	115 lb.
Shipping	138 lb.	138 lb.	141 lb.



Model no. RPL600-2.



Invacare® Reliant Digital Scale

Model no. RLS6

- Precision scale mounted on swivel bar accurately measures weights up to 600 lb.
- Retrofits on all Reliant 450/600 lifts. Model 9805 requires Reliant swivel bar
- Easy-to-operate, four-button display
- Automatic shut-off feature prolongs battery life
- Two-year limited warranty



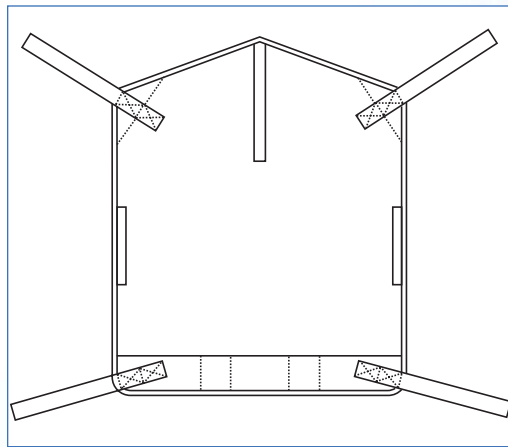
Charging Station

- One 24-volt battery on mast with quick release
- Battery can be replaced immediately with second battery in wall-mounted charger
- UL listed and CSA certified

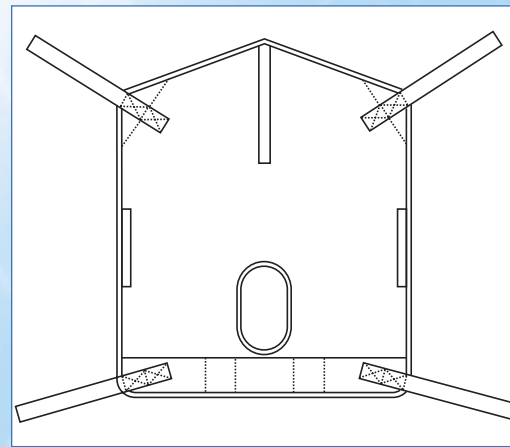


Manual Lowering

- Manual emergency lowering feature gently and safely lowers resident in case of total power loss
- Essential safety feature
- Manual lowering is easy and effortless. Simply insert the end of a ball point pen into the hole marked "emergency", lift on the accessible ring-pull



Model no. R140 Mesh sling.



Model no. R141 Mesh sling with commode opening.

Sling Specifications

	R140	R141
Width	45"	45"
Commode opening	n/a	7"
Length	55"	55"
Commode opening	n/a	13"
Weight capacity	600 lb.	600 lb.
Product weight		
Out of carton	2.2 lb.	2.1 lb.
Shipping	2.7 lb.	2.6 lb.

Complete instructions for lift usage and sling procedures are found in the Invacare Operating Manual. Only Invacare slings and accessories should be used on Invacare lifts.

Invacare® Reliant slings come in a wide array of styles to meet a variety of client needs, and the new, improved overall design makes them all easier than ever to position. Reliant slings feature a unique, fully padded fabric that forms a soft yet supportive surface. The soft, brushed lining helps prevent sliding for ultimate comfort and skin protection, and the new, stretch-resistant feature helps the slings hold their shape for superior support and ease of positioning. For clients and caregivers alike, Invacare Reliant slings are designed with comfort and safety in mind.

Sling Specifications

	Divided-leg				Full-body			Full-body w/commode			Toileting
	P	M	L	XL	M	L	XL	M	L	XL	L
Width	33"	37.5"	41"	44.5"	41.5"	45.5"	45.5"	41.5"	45.5"	45.5"	36"
Commode opening	n/a	n/a	n/a	n/a	n/a	n/a	n/a	8"	8"	9"	n/a
Length	59.8"	62.8"	67.8"	72.3"	54.7"	60.5"	65.3"	54.7"	60.5"	65.3"	37"
Commode opening	n/a	n/a	n/a	n/a	n/a	n/a	n/a	11"	11"	13"	n/a
Back	29.2"	35.7"	41.7"	43.2"	n/a	n/a	n/a	n/a	n/a	n/a	n/a
Product weight											
Out of carton	0.9 lb.	0.9 lb.	1.0 lb.	1.1 lb.	0.6 lb.	0.7 lb.	0.8 lb.	0.6 lb.	0.7 lb.	0.8 lb.	0.9 lb.
Shipping	1.5 lb.	1.5 lb.	1.6 lb.	1.7 lb.	1.2 lb.	1.3 lb.	1.4 lb.	1.2 lb.	1.3 lb.	1.4 lb.	1.5 lb.

Complete instructions for lift usage and sling procedures are found in the Invacare Operating Manual. Only Invacare slings and accessories should be used on Invacare lifts.
 Note: Reliant sling models listed are only for use with lift Model nos. 9805, Reliant 450 lifts.

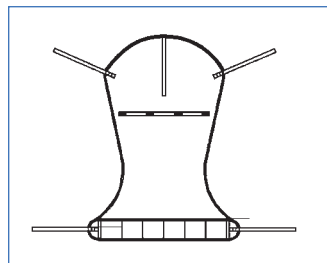


Invacare® Reliant Slings

Invacare® Reliant Full-Body Slings*

Model nos. R110, R111, R112, R113, R117

- Polyester/nylon fabric and/or mesh offers full head and neck support
- Four-point hook-up
- Fully padded
- Available in three sizes: M, L, XL

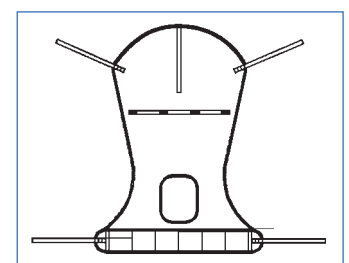


Model no.	Fabric/Style	Size
R110	mesh/full-body	M
R111	mesh/full-body	L
R112	solid/full-body	M
R113	solid/full-body	L
R117	solid/full-body	XL

Invacare® Reliant Full-Body Slings with Commode Opening*

Model nos. R114, R115, R116

- Mesh fabric offers full head and neck support
- Commode opening for toileting
- Four-point hook-up
- Available in three sizes: M, L, XL



Model no.	Fabric/Style	Size
R114	mesh/full-body with commode opening	M
R115	mesh/full-body with commode opening	L
R116	mesh/full-body with commode opening	XL

*Standard slings for use with chains or straps. Note on heavy-duty and stand-up slings: R130, R131, R134 and R136 available for use on RPS350-1 and RPS440-1 stand-up lift. See pages 4 and 5. R140 and R141 available for use on RPA600-1 heavy-duty lift. See page 6 and 7.

Sling Binding Colors

Refer to chart below.

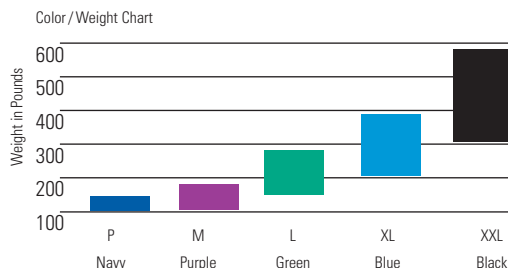


Note: Sling size and fit can vary significantly depending on patient weight and girth. These are general guidelines. Consult physician before sling selection.

Washing instructions are on each sling label. Washing temperature should not exceed 180°F. Air-dry or dry at low temperatures.

All slings are constructed of polyester-nylon fabrics which can be used in wet or dry environments.

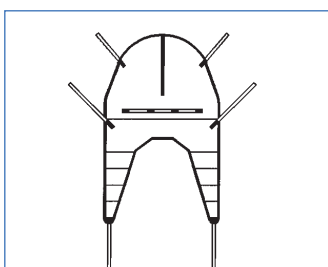
Sling Sizes



Invacare® Reliant Divided-Leg Slings with Headrest

Model nos. R100P, R100, R101, R102

- New supportive back and contoured headrest are easily inserted or removed from wheelchair while patient is seated
- Excellent for all transfers, especially toileting and bed-to-chair
- Three support straps on each side for safety and security



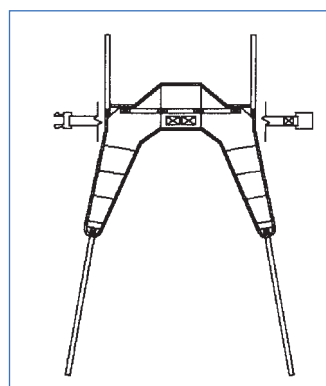
- Fully padded
- Available in four sizes: P, M, L, XL

Model no.	Fabric/Style	Size
R100P	solid/divided-leg with headrest	P
R100	solid/divided-leg with headrest	M
R101	solid/divided-leg with headrest	L
R102	solid/divided-leg with headrest	XL

Invacare® Reliant Toileting Sling with Belt*

Model no. R121

- Specifically designed for toileting and hygiene functions
- The large opening around the seat of the sling facilitates dressing and undressing for transfers to and from the toilet
- Sling features padded material for additional comfort



* Toileting sling allows superb access for hygiene and clothing removal, but patient must have full head and neck control for proper use of this sling.

Model no.	Fabric/Style	Size
R121	solid/toileting	L

Invacare® 9805 and 9805P Hydraulic Lifts

Too often, manual patient transfers lead to caregiver back injuries. The Invacare 9805 and 9805P hydraulic lifts were created to make handling situations safer and affordable for everyone involved. With their slim design, the hydraulic lifts are versatile enough to use for most any and all patient transfer. The features of the 9805 and 9805P include a padded swivel bar and push handle, a 450-pound weight capacity, durable chrome-plated construction or painted finish and 360° patient rotation without side-to-side sway. Lightweight construction and easy disassembly allow quick transport and setup. Indispensable to patients and caregivers alike, the 9805 and 9805P offer safety, comfort and stability. Most important, they offer peace of mind, which makes them valuable assets to your health care facility.

Model 9805 - Chrome



Model 9805P - Painted



Invacare® 9805 and 9805P Hydraulic Lifts

Features

- Six-point swivel bar attachment easily adapts to all sling styles and positions
- Low friction casters significantly improve rollability and contribute to caregiver safety
- 20"-64" range allows for patient to be picked up from lying position on floor
- Pump handle can rotate from side to side for convenience of attendant
- Offset mast and boom style provide better lift path, maximizing full travel range
- Swivel bar and pump handle are padded for comfort
- Elongated handle design serves a broad range of operator heights and offers improved handling ability
- Limited warranty includes three years on lift, one year on hydraulic pump

Lift Specifications

Model no. 9805, 9805P (Painted)

Height	
Maximum at sling hookup	64"
Minimum at sling hookup	20"
Base height (clearance)	6.5"
Base width	
Open	42.25"
Closed	22"
Base length	46.75"

Casters	
Front	5"
Rear	5"
Weight capacity	450 lb.
Product weight	
Out of carton	68 lb.
Shipping	85 lb.



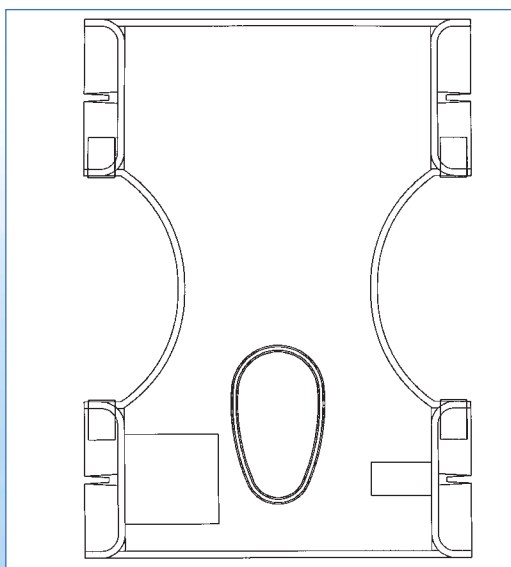
Hydraulic pump rises from lowest to highest boom height with minimal physical effort.



Base

Model no. 9884 Adjustable base

- Completely enclosed cam moves legs of adjustable base
- Offers obstruction-free operation; ideal for cleaning
- Screw-in pin at mast base provides maximum stability and prevents removal of mast



Standard sling.

Standard Slings

Model no.	Chain or Strap Assembly Kit (required for standard slings)		
9070	sling strap assembly kit		
9071	sling chain assembly kit		
Model no.	Fabric/Style	Length	Width
9042	solid polyester/without commode	40.5"	29"
9043	solid polyester/with commode	40.5"	29"
9046	mesh polyester/without commode	40.5"	29"
9047	mesh polyester/with commode	40.5"	29"